

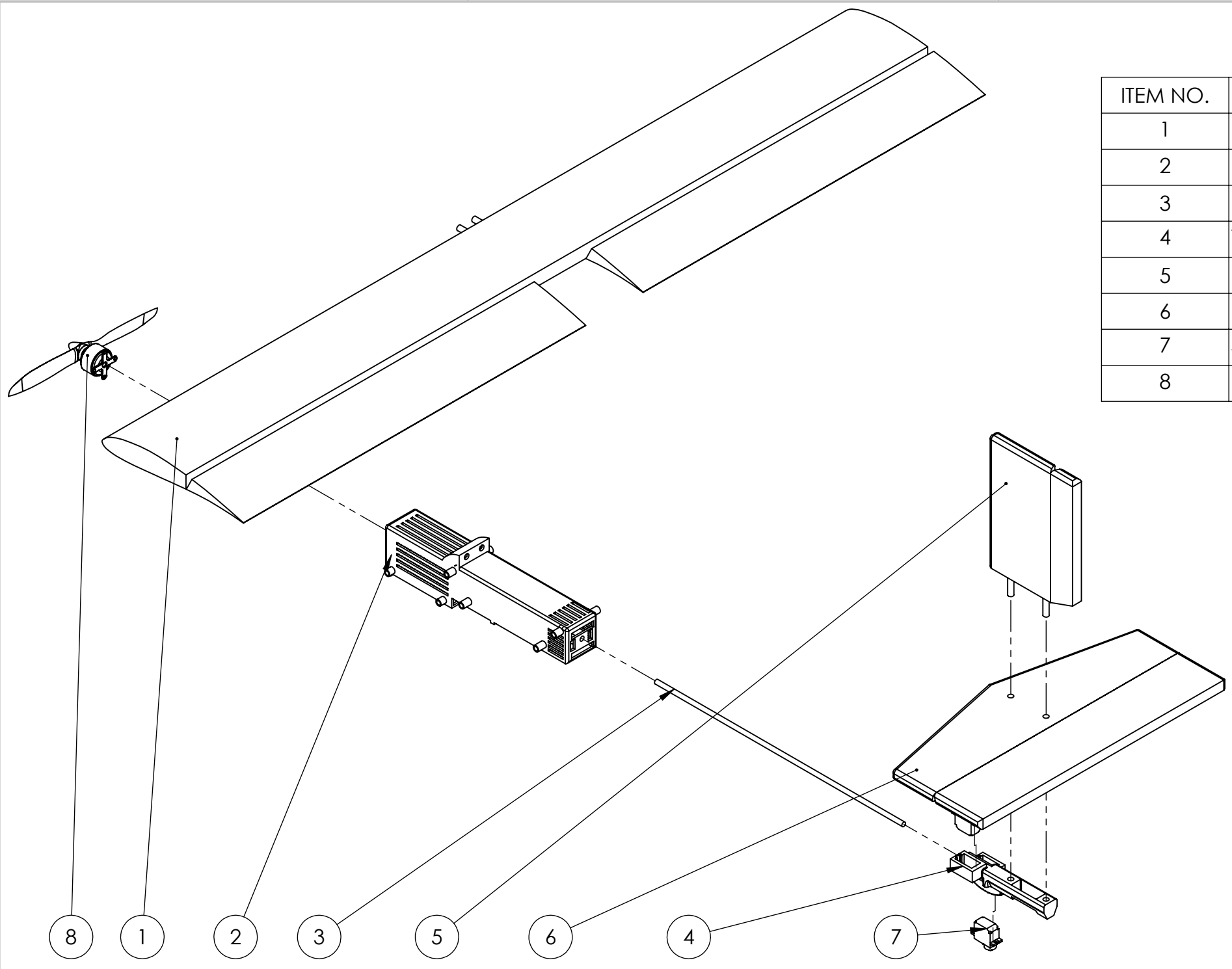
4

3

2

1

ITEM NO.	PART NUMBER	DESCRIPTION	QTY.
1	Wing	Foamular	1
2	Fueslage	ABS Plastic(3D print)	1
3	Carbon Fiber Rod	Carbon Fiber	1
4	Tail mount	ABS Plastic(3D print)	1
5	Rudder	Foamular	1
6	Elevator	Foamular	1
7	Servo	9g servo	2
8	Motor / Prop	Nema 860KV / 12inX6 deg	1



B

B

A

A

PROPRIETARY AND CONFIDENTIAL
 THE INFORMATION CONTAINED IN THIS DRAWING IS THE SOLE PROPERTY OF <INSERT COMPANY NAME HERE>. ANY REPRODUCTION IN PART OR AS A WHOLE WITHOUT THE WRITTEN PERMISSION OF <INSERT COMPANY NAME HERE> IS PROHIBITED.

		UNLESS OTHERWISE SPECIFIED:	NAME	DATE	TITLE:
		DIMENSIONS ARE IN INCHES	DRAWN		
		TOLERANCES: FRACTIONAL ±	CHECKED		
		ANGULAR: MACH ± BEND ± TWO PLACE DECIMAL ± THREE PLACE DECIMAL ±	ENG APPR.		
		INTERPRET GEOMETRIC TOLERANCING PER:	MFG APPR.		SIZE DWG. NO. REV
		MATERIAL	Q.A.		
NEXT ASSY	USED ON	FINISH	COMMENTS:		SAE AERO MICRO EXPLODED
APPLICATION		DO NOT SCALE DRAWING			
				SCALE: 1:20	WEIGHT: SHEET 1 OF 1

4

3

2

1